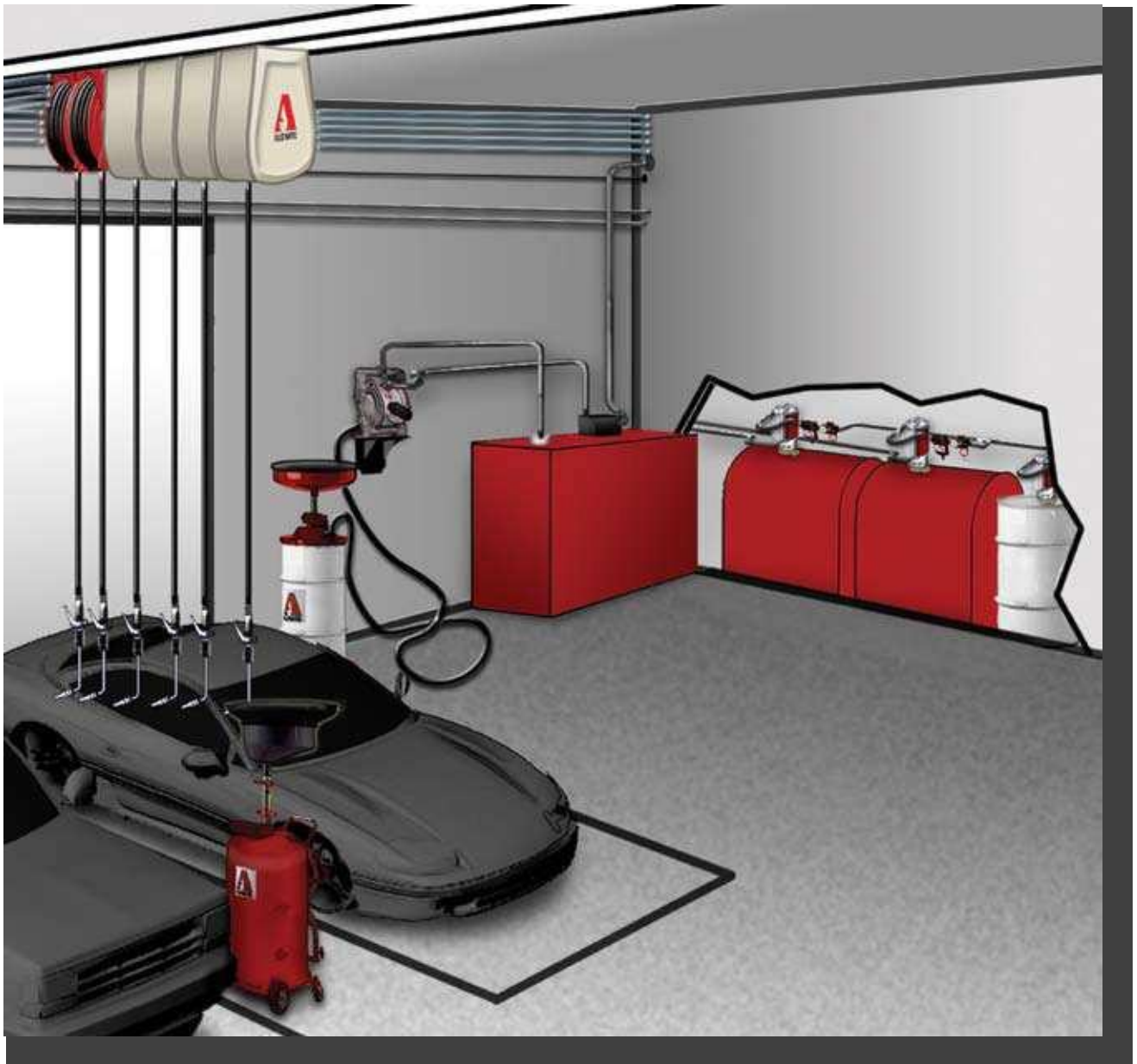




# Bulk Oil Systems



[www.alemite.com](http://www.alemite.com)

Click on "Products" and select "Bulk Oil"



## **Alemite Quality**

Since 1918, Alemite has been supplying quality lubrication systems and equipment to meet the needs of numerous industries. As one of the most established fluid handling suppliers in the world, Alemite offers the equipment and expertise to meet the most demanding lubrication and fluid handling tasks.

## **Alemite Bulk Oil Systems**

Alemite bulk oil systems provide a safe, efficient, and convenient system for dispensing fluids in one complete package. Ideal for industries that handle large volumes of fluids, these bulk oil systems minimize the hazards of waste oil spills. Each system is shipped complete and ready to install with all necessary connecting hardware.

These bulk oil systems combine quality Alemite products like pumps, hose reels, and meters with durable tanks in a wide range of sizes and configurations to meet your needs. Customized packages are also available. For more information, contact your local Alemite District Manager or call 1-800-822-4579.

## **Bulk Oil System Components**

Most bulk oil systems feature a filter regulator and gauge, pump, tank, hose reel, and dispensing meter. This brochure details the components of each system.



# Package Selection Guide

## Pump Selection Guide\*

Pump	9916-A1, 9920**	9918-A1	9968
Pump Ratio	1:1	3:1	5:1
Max. Outlets	1	2	3
Max. Pumping Distance	Up to 10 ft.	Up to 75 ft.	Up to 400 ft.

\* This information is intended only as a guide. Maximizing pumping distance is influenced by many system and environmental factors. Please consult Alemite tech services for assistance in selecting the bulk oil package that best meets your needs.

\*\* 9916-A1 Transfer Oil / 9920 Transfer Oil and Fluid Evacuation

### 5:1 Oil Packages with 275 Gallon Tank

Part No.	Tank	Page
Electronic Meter, Rigid Extension, Automatic Tip (3620)		4
338637	Oblong Rounded Tank	8
338637-A	No Tank	8
338640	Oblong Rounded Tank	8
338640-A	No Tank	8
338640-B	Obround, Horizontal, Double-Walled Tank	8
338640-C	Obround, On-End Double-Walled Tank	8
Mechanical Meter with Flexible Extension, Manual Tip (3685-F)		4
338547	Oblong Rounded Tank	9
338547-A	No Tank	9
338547-B	Obround, Horizontal Double-Walled Tank	9
338547-C	Obround, On-End Double-Walled Tank	9
338631	Oblong Rounded Tank	9
338631-A	No Tank	9
Preset Mechanical Meter with Rigid Extension (3690-C)		4
338622	Oblong Rounded Tank	10
338622-A	No Tank	10
Oil Bar with Single Dispensing Valve (325671)		n/a
338624	Oblong Rounded Tank	10
338624-A	No Tank	10
338624-B	Obround, Horizontal Double-Walled Tank	10
338624-C	Obround, On-End Double-Walled Tank	10

### 5:1 Oil Packages with 250 Gallon Tank

Part No.	Tank	Page
Electronic Meter, Rigid Extension, Automatic Tip (3620)		4
338639	Bench Tank	13
338639-A	No Tank	13
Mechanical Meter, Flexible Extension, Manual Tip (3685-F)		4
338549	Bench Tank	13
338549-A	No Tank	13
Preset Mechanical Meter, Rigid Extension, (3690-C)		4
338621	Bench Tank	14
338621-A	No Tank	14

Please visit [www.alemite.com/catalog/bulkoil](http://www.alemite.com/catalog/bulkoil) for our Bulk Oil package selector

# Package Selection Guide

## 3:1 Packages with 275 Gallon Tank

Part No.	Tank	Page
Electronic Meter, Rigid Extension, Automatic Tip (3620)		
338938	Oblong Rounded Tank	11
338938-A	No Tank	11
Mechanical Meter with Flexible Extension, Manual Tip (3685-F)		
338942	Oblong Rounded Tank	11
338942-A	No Tank	11
338940	Oblong Rounded Tank	12
338940-A	No Tank	12

## 3:1 Packages with 250 Gallon Tank

Part No.	Tank	Page
Electronic Meter, Rigid Extension, Automatic Tip (3620)		
338939	Bench Tank	14
338939-A	No Tank	14
Mechanical Meter, Flexible Extension, Manual Tip (3685-F)		
338941	Bench Tank	15
338941-A	No Tank	15

## 1:1 Packages with 275 Gallon Tank

Part No.	Tank	Page
Fluid Evacuation with Portable Drain Assembly		
338630	Oblong Rounded Tank	12
338630-A	No Tank	12
338630-B	Obround, Horizontal Double-Walled Tank	12
338630-C	Obround, On-End Double-Walled Tank	12

## 1:1 Packages with 250 Gallon Tank

Part No.	Tank	Page
Mechanical Meter, Flexible Extension, Manual Tip (3685-F)		
338548	Bench Tank	15
338548-A	No Tank	15
Electronic Meter, Rigid Extension, Automatic Tip (3620)		
338638	Bench Tank	16
338638-A	No Tank	16
Single Dispensing Valve (7480-1)		
338623	Bench Tank	16
338623-A	No Tank	16

## Miscellaneous Packages

Part No.	Reel	Page
Oil Pump Packages (no dispenser)		
338948	3:1 Pump (9918-A)	17
338642	5:1 Pump (9968)	17
338635	1:1 Pump (9916-A1), Single Dispensing Valve (7480-1)	18
Grease Pump Packages		
338632	50:1 Pump (9930)	18

Please visit [www.alemite.com/catalog/bulkoil](http://www.alemite.com/catalog/bulkoil) for our Bulk Oil package selector

# Meters



## Electronic Metered Control Valve

This lightweight meter is ergonomically designed for ease of use. It features an electronic digital readout that is easy to read and calibrate. The meter offers accuracy and reliability in a durable, shock-resistant housing. This unit also includes a large internal 40-mesh strainer.

**Fluids:** Dispenses gear oils and motor oils

Extension	Nozzle Type	Fluid Inlet (Swivel)	Register Units		Accuracy	Maximum Operating Pressure	
			Current	Totalizer		psi	Bar
Rigid	Non-drip Automatic	1/2" NPTF (f)	Quarts	Gallons	+/- 0.5%	1,500	103



## Mechanical Metered Control Valve

Equipped with an inlet swivel and an internal filter screen to prevent damaging contaminants from entering the meter, this durable meter is designed for professional applications and built to withstand rugged conditions. The meter is equipped with a dual-range face dial and two pointers. The built-in totalizer maintains a lifetime record of fluid dispensed.

**Fluids:** Dispenses oils, ATF, and other petroleum-based fluids

Extension	Nozzle Type	Inlet	Register Units		Accuracy	Maximum Pressure	
			Current	Totalizer		psi	Bar
Flexible	Non-drip Manual	1/2" NPTF (f)	Quarts	Gallons	+/- 0.65%	1,000	69



## Preset Metered Control Valve

These dial-face designed meters are known for their accuracy and durability. Designed to dispense preset quantities of fluid lubricants, this meter features a totalizer that maintains a lifetime record of the amount dispensed. It is equipped with an internal filter screen to prevent damaging contaminants from entering the meter. Additional features include a large face dial for easy reading and setting of register pointer and a latch control that allows manual shut-off during operation.

**Fluids:** Dispenses gear oil, motor oil, and ATF

Extension	Nozzle Type	Inlet	Register Units		Accuracy	Maximum Pressure	
			Current (with Range)	Totalizer		psi	Bar
Rigid	Non-drip Manual	1/2" NPTF (f)	0-60 Quarts	Gallons	+/- 0.65%	1,000	69

# RAM Pumps



9968

## RAM Medium Pressure Stub Pump

The RAM 9968 is a medium-pressure stub pump (5:1 ratio) designed to deliver all grades of oil. The pump consists of an air-operated motor and a pump tube. The air motor connects directly to a double-acting reciprocating pump tube. Extensions screwed directly into the pump's fluid inlet allow the pump to accommodate different size drums and tanks.

Air Motor (same for 9916-A and 9918-A)

Piston Diameter x Stroke		Air Inlet	Maximum Air Pressure	
Inches	Centimeters		psi	Bar
3 x 3-5/16	7.6 x 8.4	1/4" NPTF (f)	150	10.3

Pump Tube

Fluid Inlet	Fluid Outlet	Maximum Fluid Pressure		Delivery/Minute (Approximate)		Displacement per Cycle	
		psi	Bar	Gallons	Liters	In <sup>3</sup>	Cm <sup>3</sup>
1-1/2" NPTF (f)	1/2" NPTF (f)	750	52	7	26.5	7.2	118



9918-A

## RAM Low-Pressure Stub Pump

This low-pressure stub pump (3:1 ratio) is designed to deliver all grades of oil. The pump consists of an air-operated motor and a pump tube. The air motor connects directly to the double-acting reciprocating pump tube. The pump mounts directly onto original containers or bulk tanks that have a 2" NPT bung fitting. It can also be wall mounted and used with an optional suction hose.

Pump Tube

Fluid Inlet	Fluid Outlet	Maximum Fluid Pressure		Delivery/Minute (Approximate)		Displacement per Cycle	
		psi	Bar	Gallons	Liters	In <sup>3</sup>	Cm <sup>3</sup>
2" NPTF (m) (outside) 1-1/2" NPTF (f) (inside)	1/2" NPTF	450	31	9	34	10.5	172



9916-A1

## RAM Low-Pressure Transfer Pump

This low-pressure (1:1 ratio) transfer pump is designed to deliver a range of lightweight oils including gear lubricants. The pump consists of an air-operated motor (equipped with an air shut-off valve) and a pump tube. The air motor connects directly to the reciprocating pump tube. The pump can be mounted directly onto original containers or bulk tanks that have a 2" NPT bung fitting. It can also be wall mounted and used with an optional suction hose.

Pump Tube

Fluid Inlet	Fluid Outlet		Maximum Fluid Pressure		Delivery/Minute (Approximate)	
	With Bushing	Without Bushing	psi	Bar	Gallons	Liters
2" NPTF (m) (outside) 1-1/2" NPTF (f) (inside)	1/2" NPTF (f)	3/4" NPTF (f)	150	10.3	16	60.6

# Fluid Transfer and Grease Pumps



9920

## Fluid Evacuation/Transfer Pump

This low-pressure (1:1 ratio) transfer pump is designed to transfer all petroleum-based fluids. The pump assembly consists of an air-operated motor and four ball check valve pump. The four-ball design allows the pump to deliver fluid on both strokes.

### Air Motor

Piston Diameter x Stroke		Air Inlet	Maximum Air Pressure	
Inches	Centimeters		psi	Bar
3 x 3-5/16	7.6 x 8.4	1/4" NPTF (f)	125	8.6

### Pump Tube

Fluid Inlet	Fluid Outlet	Maximum Fluid Pressure		Delivery/Minute (Approximate)		Displacement per Cycle	
		psi	Bar	Gallons	Liters	In <sup>3</sup>	Cm <sup>3</sup>
1" NPTF (f)	1" NPTF (f)	125	8.6	19	72	40	655



9930

## High-Pressure Grease Pump

This high-pressure (50:1 ratio) grease pump consists of an air-operated motor and pump tube. The air motor connects directly to the double-acting reciprocating pump tube. The pump tube features a dynamic primer that enables the delivery of a range of greases.

### Air Motor

Piston Diameter x Stroke		Air Inlet	Maximum Air Pressure	
Inches	Centimeters		psi	Bar
3 x 3-5/16	7.6 x 8.4	1/4" NPTF (f)	150	10.3

### Pump Tube

Fluid Outlet	Maximum Fluid Pressure		Delivery/Minute (Approximate)		Displacement per Cycle	
	psi	Bar	Pounds	Kilograms	In <sup>3</sup>	Cm <sup>3</sup>
3/8" NPTF (f)	7,500	517	4.7	2.1	0.76	12.5



# Hose Reels



8078-C & D

## Heavy Duty Reel

Our Heavy Duty Reel features a heavy metal arbor to withstand extreme stress. Sealed bearings are corrosion resistant and minimize maintenance. Reel features an anti-lockout design and swivel and reel ball bearings that provide smooth retraction. Guide arm adjusts to five positions for maximum versatility.

**Fluids:** Oil

Reel Package*	Bare Reel	Hose Inside Diameter	Connecting Hose	Delivery Hose	Connecting Hose Inlet	Hose Outlet	Pressure Rating	Total Weight
8078-C	7335-B	1/2 in (13 mm)	2 ft (0.6 m)	30 ft (9 m)	1/2" NPTF (m)	1/2" NPTF (m)	1,500 psi (103 bar)	56 lbs (25 kg)
8078-D	7335-B	1/2 in (13 mm)	2 ft (0.6 m)	50 ft (15 m)	1/2" NPTF (m)	1/2" NPTF (m)	1,500 psi (103 bar)	58 lbs (26 kg)

\* Reel Package includes reel, delivery hose, connecting hose, and hose stop

# Filter / Regulators



7936

## Filter Regulator and Gauge

Filter regulators regulate, clean, dry, and lubricate air going into a system, helping to maintain efficient operation and prolong equipment life. This model features a drain that allows bowl sediment and condensate to be automatically discharged.

### Regulator

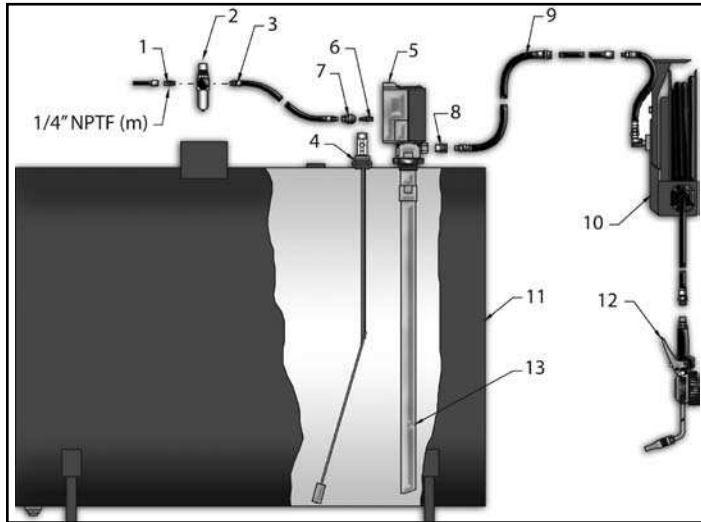
Maximum Inlet Pressure		Maximum Regulated Pressure		Temperature Range		Air Inlet/Outlet
psi	Bar	psi	Bar	°F	°C	
150	10.3	125	8.6	40-120	4.4-49	1/4" NPTF (f)

### Filter and Gauge

Filter Size	Polycarbonate Bowl Size		Gauge Range		Gauge Ports
	fl oz	cc	psi	Bar	
20 micron	1	30	0-160	0-11	1/8" NPTF (f)

## 5:1 Pump Packages with 275 Gallon Tank

### 338637

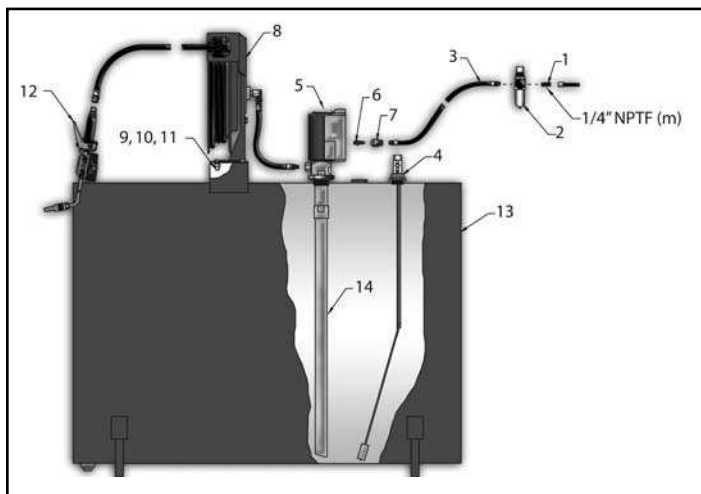


Note:

- 338637-A does not include items 4 or 11.

Item No.	Part No.	Description
1	327033	Adapter, 1/4" NPTF (m) x 1/4" NPTF (m)
2	7936	Filter/Regulator, Air Pressure, 1/4" NPTF (f)
3	317803-7	Hose Assembly, 3/8" ID (7 ft long)
4	SWA 269	Gauge Assembly, Oil Level
5	9968	Pump Assembly, Lubricant, 5:1 Ratio
6	328034	Adapter 1/4" NPTF (m)
7	328030	Coupler, Air, 1/4" NPTF (f)
8	1000-88	Adapter, 1/2" NPTF (m) x 1/2" NPSM (f)
9	317813-5F	Hose Assembly, 1/2" ID (5-1/2 ft long)
10	8078-D	Reel Assembly, Open
11	SWA 267	Tank Assembly, 275 Gallon
12	3620	Valve Assembly, Control (with Electronic Meter)
13	338147-7	Tube, Extension

### 338640

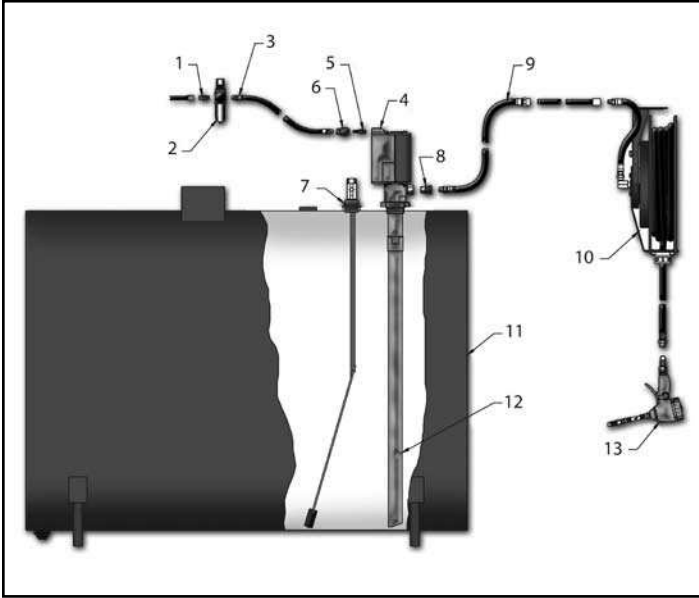


Note:

- 338640-A does not include items 4 or 13.
- 338640-B has an Obround, Horizontal Double-Walled Tank (SWA 291).
- 338640-C has an Obround, On-End Double-Walled Tank (339985).

Item No.	Part No.	Description
1	327033	Adapter, 1/4" NPTF (m) x 1/4" NPTF (m)
2	7936	Filter/Regulator, 1/4" NPTF (f)
3	317803-7	Hose Assembly, 3/8" ID (7 ft long)
4	SWA 269	Gauge Assembly, Oil Level
5	9968	Pump Assembly, Lubricant, 5:1 Ratio
6	328034	Adapter 1/4" NPTF (m)
7	328030	Coupler, Air, 1/4" NPTF (f)
8	8078-D	Reel Assembly, Open
9	79713	Screw, Cap, Hex Head, 1/2"-13 x 1-1/4"
10	172207-4	Washer, Lock, 1/2"
11	77890	Nut, Hex, 1/2"-13
12	3620	Valve Assembly, Control (with Electronic Meter)
13	SWA 267	Tank Assembly, 275 Gallon
14	338147-7	Tube, Extension

# 338547

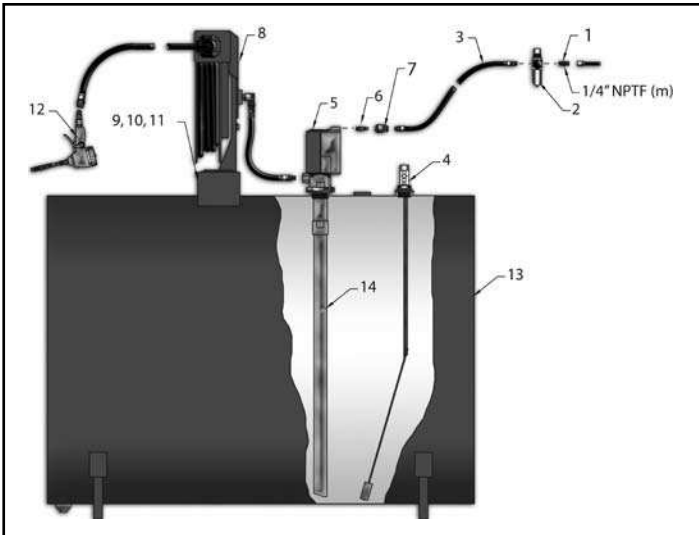


**Note:**

- 338547-A does not include items 7 or 11.
- 338547-B has an Obround, Horizontal Double-Walled Tank (SWA 291).
- 338547-C has an Obround, On-End Double-Walled Tank (339985).

Item No.	Part No.	Description
1	327033	Adapter, 1/4" NPTF (m) x 1/4" NPTF (m)
2	7936	Filter/Regulator, 1/4" NPTF (f)
3	317803-7	Hose Assembly, 3/8" ID (7 ft long)
4	9968	Pump Assembly, Lubricant, 5:1 Ratio
5	328034	Adapter, 1/4" NPTF (m)
6	328030	Coupler, Air, 1/4" NPTF (f)
7	SWA 269	Gauge Assembly, Oil Level
8	1000-88	Union, Adapter, 1/2" NPTF (f) x 1/2" NPSM
9	317813-5F	Hose Assembly, 1/2" ID (5.5 ft long)
10	8078-D	Reel Package, Open
11	SWA 267	Tank Assembly, 275 Gallon
12	338147-7	Tube, Extension
13	3685-F	Meter, Oil, Hand (with Totalizer)

# 338631

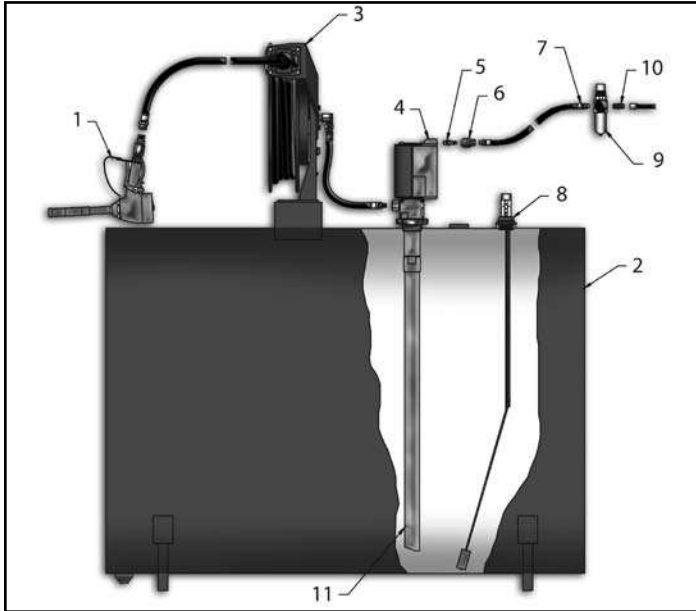


**Note:**

- 338631-A does not include items 4 or 13.

Item No.	Part No.	Description
1	327033	Adapter, 1/4" NPTF (m) x 1/4" NPTF (m)
2	7936	Filter/Regulator, 1/4" NPTF (f)
3	317803-7	Hose Assembly, 3/8" ID (7 ft long)
4	SWA 269	Gauge Assembly, Oil Level
5	9968	Pump Assembly, Lubricant, 5:1 Ratio
6	328034	Adapter 1/4" NPTF (m)
7	328030	Coupler, Air, 1/4" NPTF (f)
8	8078-D	Reel Assembly, Open
9	79713	Screw, Cap, Hex Head, 1/2"-13 x 1-1/4"
10	172207-4	Washer, Lock, 1/2"
11	77890	Nut, Hex, 1/2"-13
12	3685-F	Meter, Oil, Hand (with Totalizer)
13	SWA 267	Tank Assembly, 275 Gallon
14	338147-7	Tube, Extension

## 338622

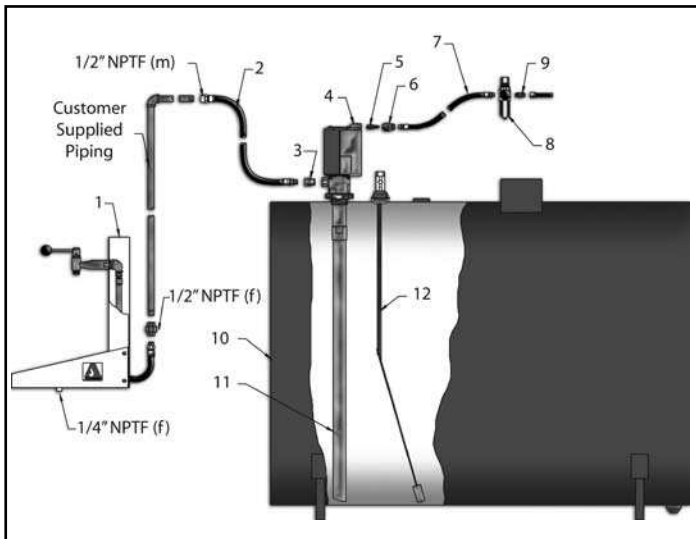


**Note:**

- 338622-A does not include items 2 or 8.

Item No.	Part No.	Description
1	3690-C	Meter, Oil, Hand (with Totalizer)
2	SWA 267	Tank Assembly, 275 Gallon
3	8078-D	Reel Package, Open
	79713	Screw, 1/2"-13 x 1-1/4"
	172207-4	Washer, Lock, 1/2"
	77890	Nut, 1/2"-13
4	9968	Pump Assembly, Lubricant, 5:1 Ratio
5	328034	Adapter, 1/4" NPTF (m)
6	328030	Coupler, Air, 1/4" NPTF (f)
7	317803-7	Hose Assembly, 3/8" ID (7 ft long)
8	SWA 269	Gauge Assembly, Oil Level
9	7936	Filter/Regulator, 1/4" NPTF (f)
10	327033	Adapter, 1/4" NPTF (m) x 1/4" NPTF (m)
11	338147-7	Tube, Extension

## 338624



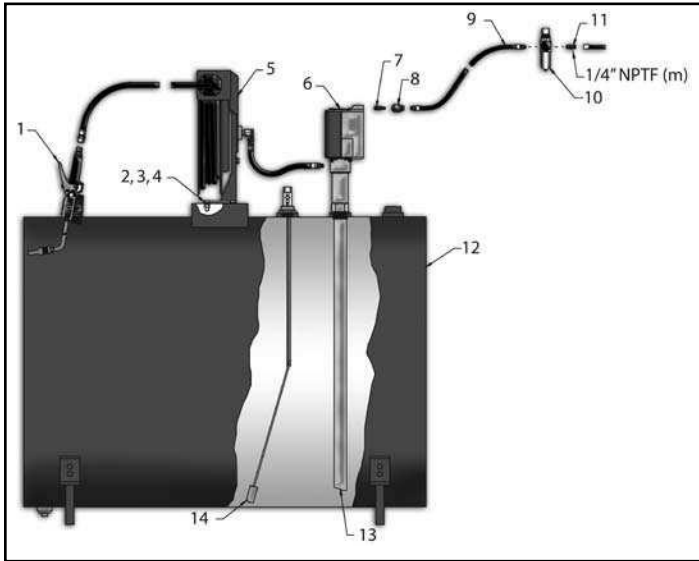
**Note:**

- 338624-A does not include items 10 or 12.
- 338624-B has an Obround, Horizontal Double-Walled Tank (SWA 291).
- 338624-C has an Obround, On-End Double-Walled Tank (339985).

Item No.	Part No.	Description
1	325761	Bar, Oil, Single Dispensing Valve
2	317813-5F	Hose Assembly, 1/2" ID (5.5 ft long)
3	1000-88	Adapter, Union, 1/2" NPTF (f) x 1/2" NPSM
4	9968	Pump Assembly, Lubricant, 5:1 Ratio
5	328034	Adapter, 1/4" NPTF (m)
6	328030	Coupler, Air, 1/4" NPTF (f)
7	317803-7	Hose Assembly, 3/8" ID (7 ft long)
8	7936	Filter/Regulator, Air Pressure, 1/4" NPTF (f)
9	327033	Adapter, 1/4" NPTF (m) x 1/4" NPTF (m)
10	SWA 267	Tank Assembly, 275 Gallon
11	338147-7	Tube, Extension
12	SWA 269	Gauge Assembly, Oil Level

## 3:1 Pump Packages with 275 Gallon Tank

### 338938

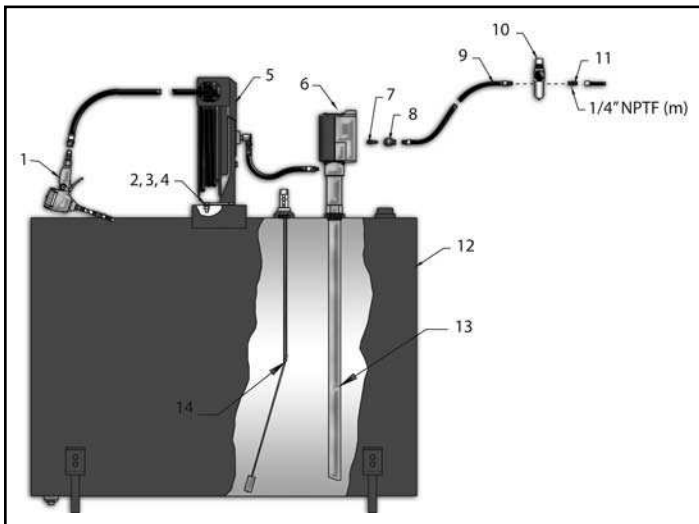


**Note:**

- 338938-A does not include items 12 or 14.

Item No.	Part No.	Description
1	3620	Meter, Oil, Hand Digital
2	79713	Screw, Cap, Hex Head, 1/2"-13 x 1-1/4"
3	172207-4	Washer, Lock, 1/2"
4	77890	Nut, Hex, 1/2"-13
5	8078-D	Reel Assembly, Open
6	9918-A	Pump Assembly, Lubricant, 3:1 Ratio
7	328034	Adapter, 1/4" NPTF (m)
8	328030	Coupler, Air, 1/4" NPTF (f)
9	317803-7	Hose Assembly, 3/8" ID (7 ft long)
10	7936	Filter/Regulator, Air Pressure, 1/4" NPTF
11	327033	Adapter, 1/4" NPTF (m) x 1/4" NPTF (m)
12	SWA 267	Tank Assembly, 275 Gallon
13	338147-9	Tube, Extension
14	SWA 269	Gauge Assembly, Oil Level

### 338942

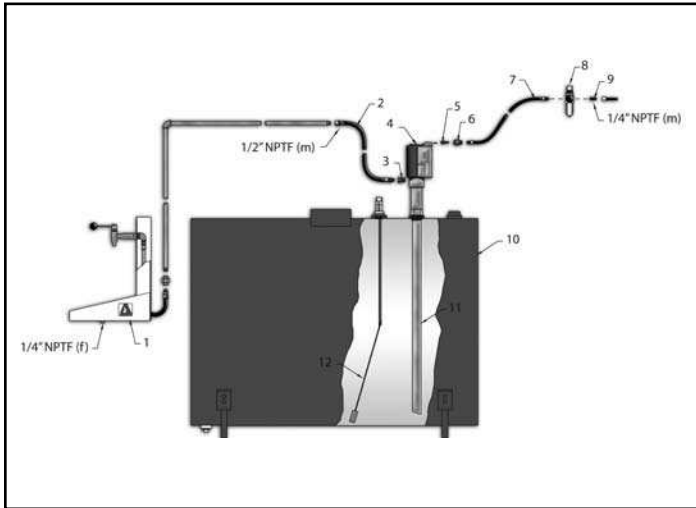


**Note:**

- 338942-A does not include items 12 or 14.

Item No.	Part No.	Description
1	3685-F	Meter, Oil, Hand (with Totalizer)
2	79713	Screw, Cap, Hex Head, 1/2"-13 x 1-1/4"
3	172207-4	Washer, Lock, 1/2"
4	77890	Nut, Hex, 1/2"-13
5	8078-D	Reel Assembly, Open
6	9918-A	Pump Assembly, Lubricant, 3:1 Ratio
7	328034	Adapter, 1/4" NPTF (m)
8	328030	Coupler, Air, 1/4" NPTF (f)
9	317803-7	Hose Assembly, 3/8" ID (7 ft long)
10	7936	Filter/Regulator, Air Pressure, 1/4" NPTF
11	327033	Adapter, 1/4" NPTF (m) x 1/4" NPTF (m)
12	SWA 267	Tank Assembly, 275 Gallon
13	338147-9	Tube, Extension
14	SWA 269	Gauge Assembly, Oil Level

## 338940



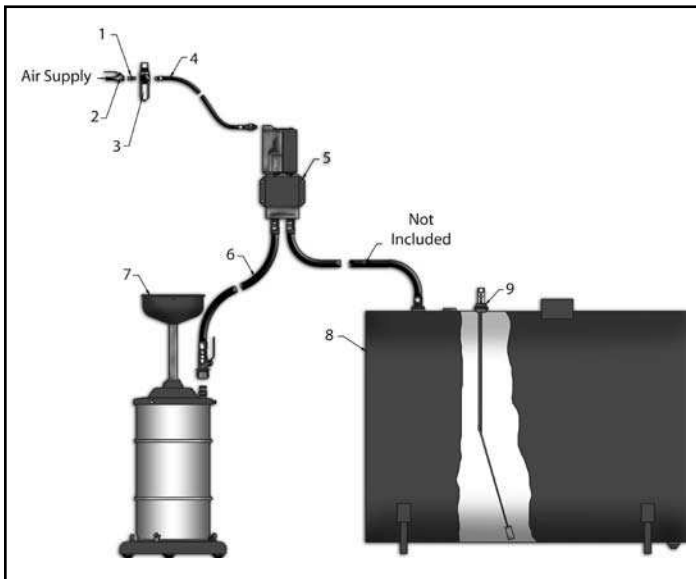
Note:

- 338940-A does not include items 10 or 12.

Item No.	Part No.	Description
1	325761	Bar, Oil, Single Dispensing Valve
2	317813-5F	Hose Assembly, 1/2" ID (5-1/2 ft long)
3	1000-88	Adapter, Union, 1/2" NPTF (f) x 1/2" NPSM
4	9918-A	Pump Assembly, Lubricant, 3:1 Ratio
5	328034	Adapter 1/4" NPTF (m)
6	328030	Coupler, Air, 1/4" NPTF (f)
7	317803-7	Hose Assembly, 3/8" ID (7 ft long)
8	7936	Filter/Regulator, Air Pressure, 1/4" NPTF
9	327033	Adapter, 1/4" NPTF (m) x 1/4" NPTF (m)
10	SWA 267	Tank Assembly, 275 Gallon
11	338147-9	Tube, Extension
12	SWA 269	Gauge Assembly, Oil Level

## 1:1 Pump Packages with 275 Gallon Tank

### 338630



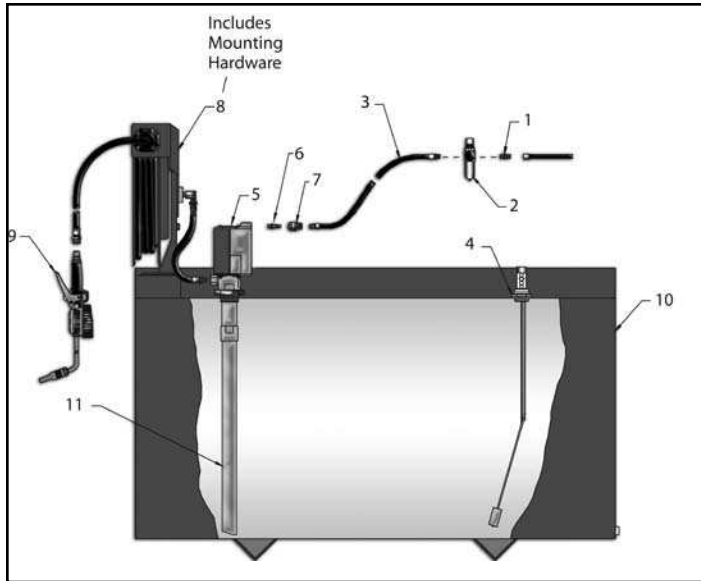
Note:

- 338630-A does not include items 8 or 9.
- 338630-B has an Obround, Horizontal Double-Walled Tank (SWA 291).
- 338630-C has an Obround, On-End Double-Walled Tank (339985).

Item No.	Part No.	Description
1	327033	Adapter, 1/4" NPTF (m) x 1/4" NPTF (m)
2	SWA 288	Shutoff Valve, 1/4" NPTF (f)
3	7936	Filter/Regulator, Air Pressure, 1/4" NPTF (f)
4	317803-7	Hose Assembly, 3/8" ID (7 ft long)
5	9920	Pump Assembly, Fluid Evacuation/Transfer (1:1 Ratio)
6	338554	Evacuation Kit Hose (3/4" x 6 ft.)
7	8586	Portable Drain Assembly (16-gallon drum not included)
8	SWA 267	Tank Assembly, 275 Gallon
9	SWA 269	Gauge Assembly, Oil Level

# 5:1 Pump Packages with 250 Gallon Tank

## 338639

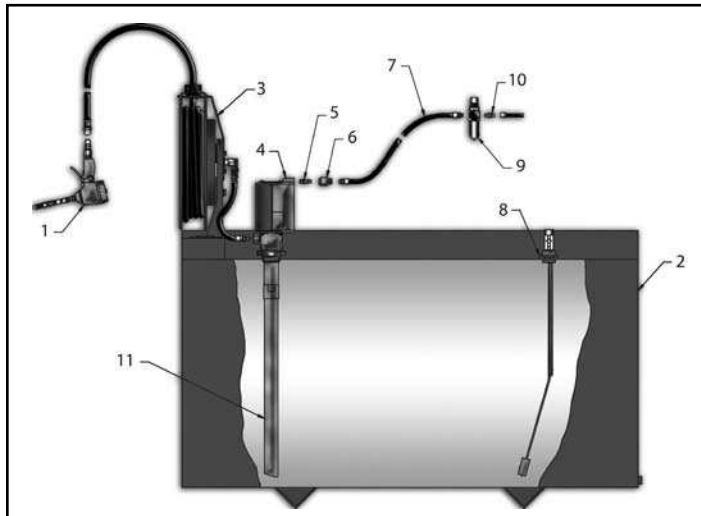


Note:

- 338639-A does not include items 4 or 10.

Item No.	Part No.	Description
1	327033	Adapter, 1/4" NPTF (m) x 1/4" NPTF (m)
2	7936	Filter/Regulator, Air Pressure, 1/4" NPTF (f)
3	317803-7	Hose Assembly, 3/8" ID (7 ft long)
4	SWA 271	Gauge Assembly, Oil Level
5	9968	Pump Assembly, Lubricant, 5:1 Ratio
6	328034	Adapter 1/4" NPTF (m)
7	328030	Coupler, Air, 1/4" NPTF (f)
8	8078-D	Reel Assembly, Open
9	3620	Valve Assembly, Control (with Electronic Meter)
10	SWA 268	Tank Assembly, 250 Gallon
11	338147-3	Tube, Extension

## 338549

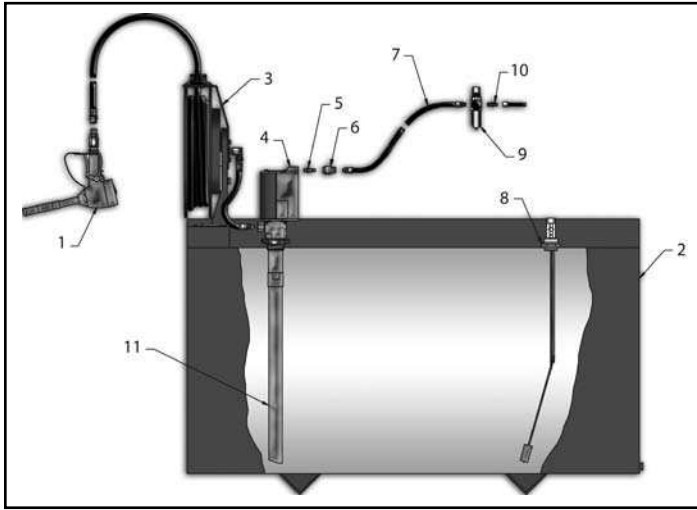


Note:

- 338549-A does not include items 2 or 8.

Item No.	Part No.	Description
1	3685-F	Meter, Oil, Hand (with Totalizer)
2	SWA 268	Tank Assembly, 250 Gallon*
3	8078-D	Reel Package, Open
	79713	Screw, 1/2"-13 x 1-1/4" (4)
	172207-4	Washer, Lock, 1/2" (4)
	77890	Nut, 1/2"-13 (4)
4	9968	Pump Assembly, Lubricant, 5:1 Ratio
5	328034	Adapter, 1/4" NPTF (m)
6	328030	Coupler, Air, 1/4" NPTF (f)
7	317803-7	Hose Assembly, 3/8" ID (7 ft long)
8	SWA 271	Gauge Assembly, Oil Level*
9	7936	Filter/Regulator, 1/4" NPTF (f)
10	327033	Adapter, 1/4" NPTF (m) x 1/4" NPTF (m)
11	338147-3	Tube, Extension

## 338621



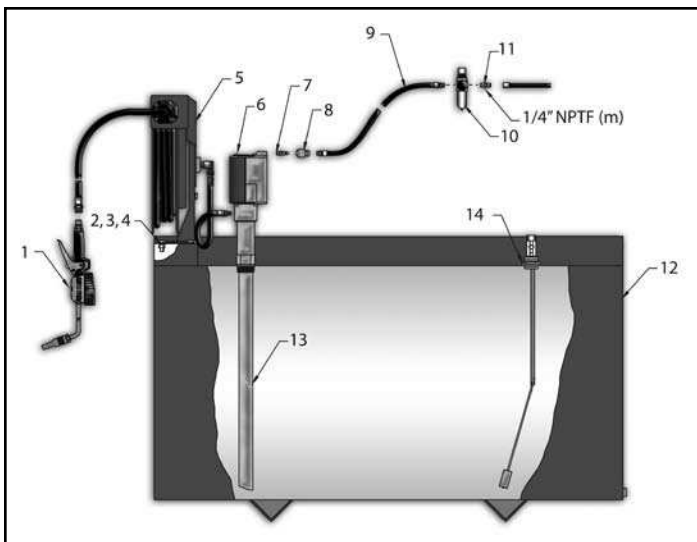
Note:

- 338621-A does not include items 2 or 8.

Item No.	Part No.	Description
1	3690-C	Meter, Oil, Hand (with Totalizer)
2	SWA 268	Tank Assembly, 250 Gallon*
3	8078-D	Reel Package, Open
	79713	Screw, 1/2"-13 x 1-1/4" (4)
	172207-4	Washer, Lock, 1/2" (4)
	77890	Nut, 1/2"-13 (4)
4	9968	Pump Assembly, Lubricant, 5:1 Ratio
5	328034	Adapter, 1/4" NPTF (m)
6	328030	Coupler, Air, 1/4" NPTF (f)
7	317803-7	Hose Assembly, 3/8" ID (7 ft long)
8	SWA 271	Gauge Assembly, Oil Level*
9	7936	Filter/Regulator, 1/4" NPTF (f)
10	327033	Adapter, 1/4" NPTF (m) x 1/4" NPTF (m)
11	338147-3	Tube, Extension

## 3:1 Pump Packages with 250 Gallon Tank

### 338939



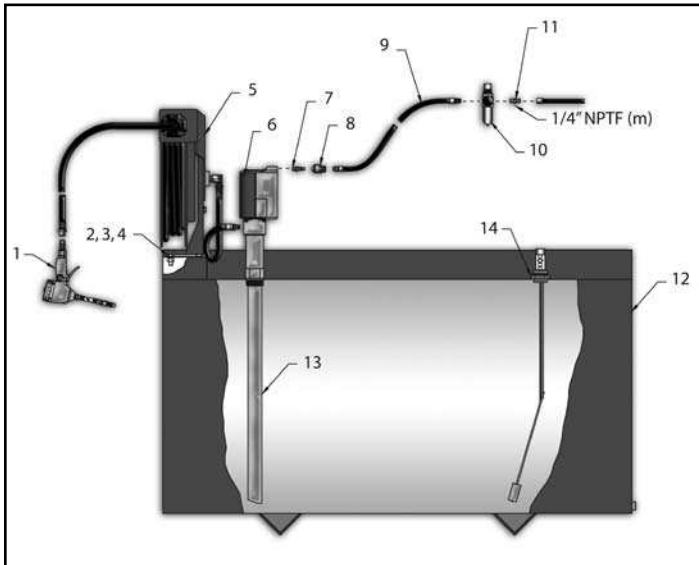
Note:

- 338939-A does not include items 12 or 14.

Item No.	Part No.	Description
1	3620	Meter, Oil, Hand Digital
2	79713	Screw, Cap, Hex Head, 1/2"-13 x 1-1/4"
3	172207-4	Washer, Lock, 1/2"
4	77890	Nut, Hex, 1/2"-13
5	8078-D	Reel Assembly, Open
6	9918-A	Pump Assembly, Lubricant, 3:1 Ratio
7	328034	Adapter, 1/4" NPTF (m)
8	328030	Coupler, Air, 1/4" NPTF (f)
9	317803-7	Hose Assembly, 3/8" ID (7 ft long)
10	7936	Filter/Regulator, Air Pressure, 1/4" NPTF
11	327033	Adapter, 1/4" NPTF (m) x 1/4" NPTF (m)
12	SWA 268	Tank Assembly, 250 Gallon
13	338147-8	Tube, Extension
14	SWA 271	Gauge Assembly, Oil Level



# 338941



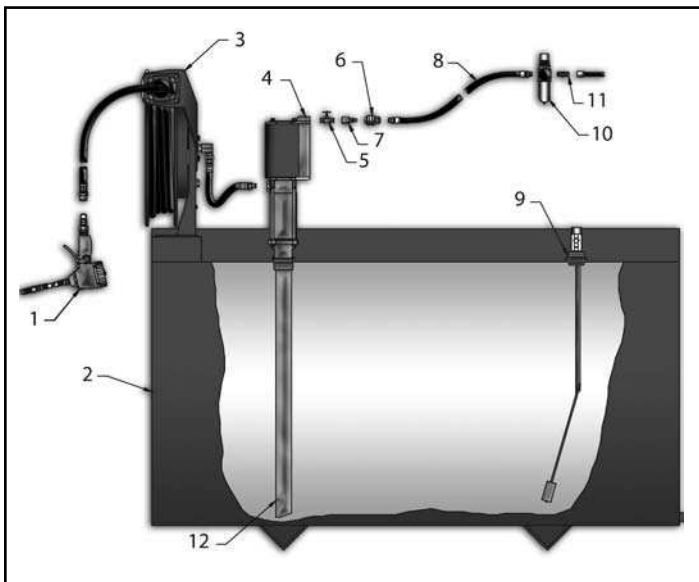
Note:

- 338941-A does not include items 12 or 14.

Item No.	Part No.	Description
1	3685-F	Meter, Oil, Hand (with Totalizer)
2	79713	Screw, Cap, Hex Head, 1/2"-13 x 1-1/4"
3	172207-4	Washer, Lock, 1/2"
4	77890	Nut, Hex, 1/2"-13
5	8078-C	Reel Assembly, Open
6	9918-A	Pump Assembly, Lubricant, 3:1 Ratio
7	328034	Adapter, 1/4" NPTF (m)
8	328030	Coupler, Air, 1/4" NPTF (f)
9	317803-7	Hose Assembly, 3/8" ID (7 ft long)
10	7936	Filter/Regulator, Air Pressure, 1/4" NPTF
11	327033	Adapter, 1/4" NPTF (m) x 1/4" NPTF (m)
12	SWA 268	Tank Assembly, 250 Gallon
13	338147-8	Tube, Extension
14	SWA 271	Gauge Assembly, Oil Level

## 1:1 Pump Packages with 250 Gallon Tank

# 338548

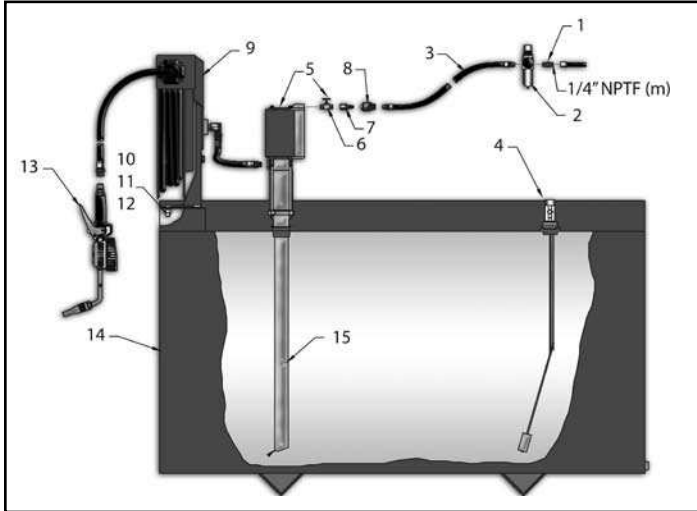


Note:

- 338548-A does not include items 2 or 9.

Item No.	Part No.	Description
1	3685-F	Meter, Oil, Hand (with Totalizer)
2	SWA 268	Tank Assembly, 250 Gallon
3	8078-C	Reel Package, Open
	79713	Screw, 1/2"-13 x 1-1/4"
	172207-4	Washer, Lock, 1/2"
	77890	Nut, 1/2"-13
4	9916-A1	Pump Assembly, Lubricant, 1:1 Ratio
5	319391	Valve, Shutoff
6	328030	Coupler, Air, 1/4" NPTF (f)
7	330605	Adapter, 1/4" NPTF (f)
8	317803-7	Hose Assembly, 3/8" ID (7 ft long)
9	SWA 271	Gauge Assembly, Oil Level
10	7936	Filter/Regulator, 1/4" NPTF (f)
11	327033	Adapter, 1/4" NPTF (m) x 1/4" NPTF (m)
12	338147-8	Tube, Extension

# 338638

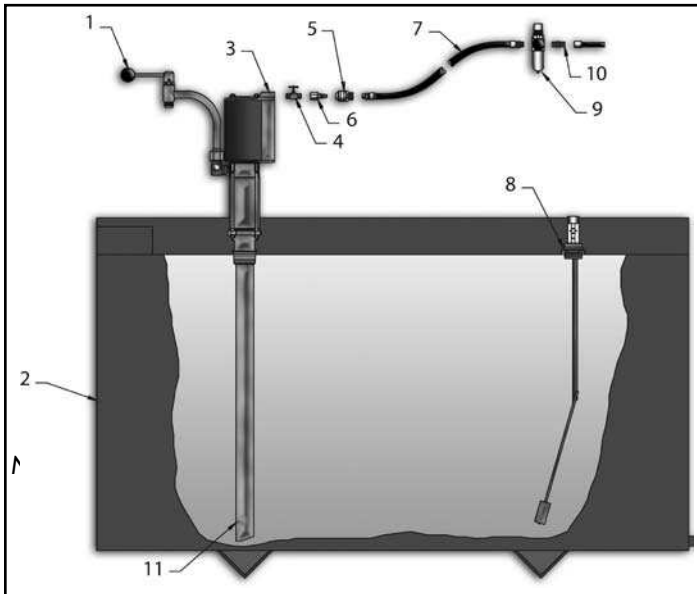


Note:

- 338638-A does not include items 4 or 14.

Item No.	Part No.	Description
1	327033	Adapter, 1/4" NPTF (m) x 1/4" NPTF (m)
2	7936	Filter/Regulator, Air Pressure, 1/4" NPTF
3	317803-7	Hose Assembly, 3/8" ID (7 ft long)
4	SWA 271	Gauge Assembly, Oil Level
5	9916-A1	Pump Assembly, Lubricant Transfer, 1:1 Ratio
6	319391	Valve, Shutoff, 1/4" PT
7	330605	Adapter 1/4" NPTF (f)
8	328030	Coupler, Air, 1/4" NPTF (f)
9	8078-C	Reel Assembly, Open
10	79713	Screw, Cap, Hex Head, 1/2"-13 x 1-1/4"
11	172207-4	Washer, Lock, 1/2"
12	77890	Nut, Hex, 1/2"-13
13	3620	Valve Assembly, Control (with Electronic Meter)
14	SWA 268	Tank Assembly, 250 Gallon
15	338147-8	Tube, Extension

# 338623



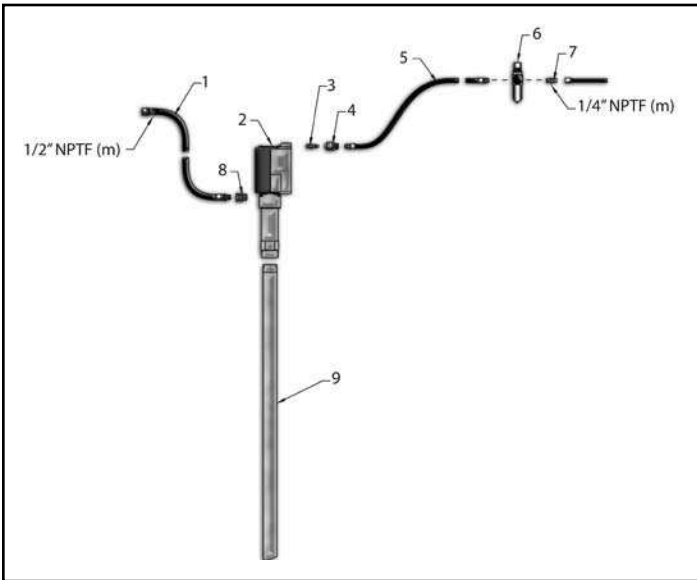
Note:

- 338623-A does not include items 2 or 8.

Item No.	Part No.	Description
1	7480-1	Valve, Dispensing
2	SWA 268	Tank Assembly, 250 Gallon
3	9916-A1	Pump Assembly, Lubricant, 1:1 Ratio
4	319391	Valve, Shutoff
5	328030	Coupler, Air, 1/4" NPTF (f)
6	330605	Adapter, 1/4" NPTF (f)
7	317803-7	Hose Assembly, 3/8" ID (7 ft long)
8	SWA 271	Gauge Assembly, Oil Level
9	7936	Filter/Regulator, 1/4" NPTF (f)
10	327033	Adapter, 1/4" NPTF (m) x 1/4" NPTF (m)
11	338147-8	Tube, Extension

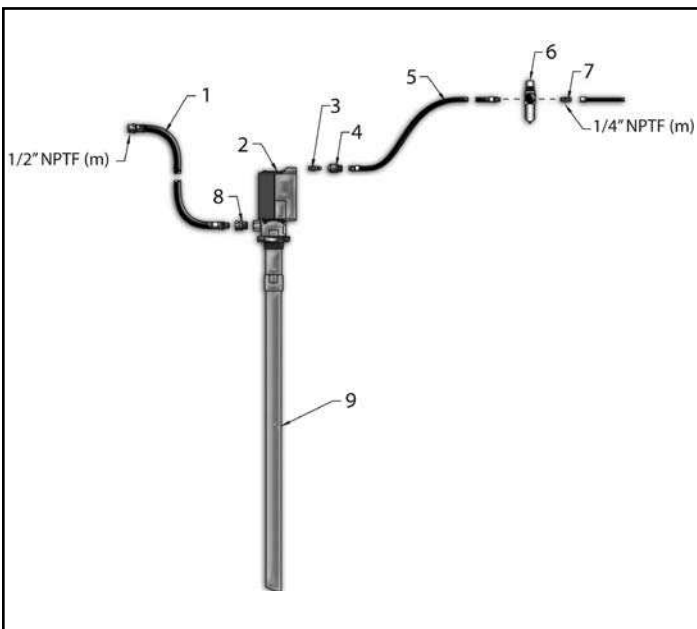
# Miscellaneous Packages

## 338948



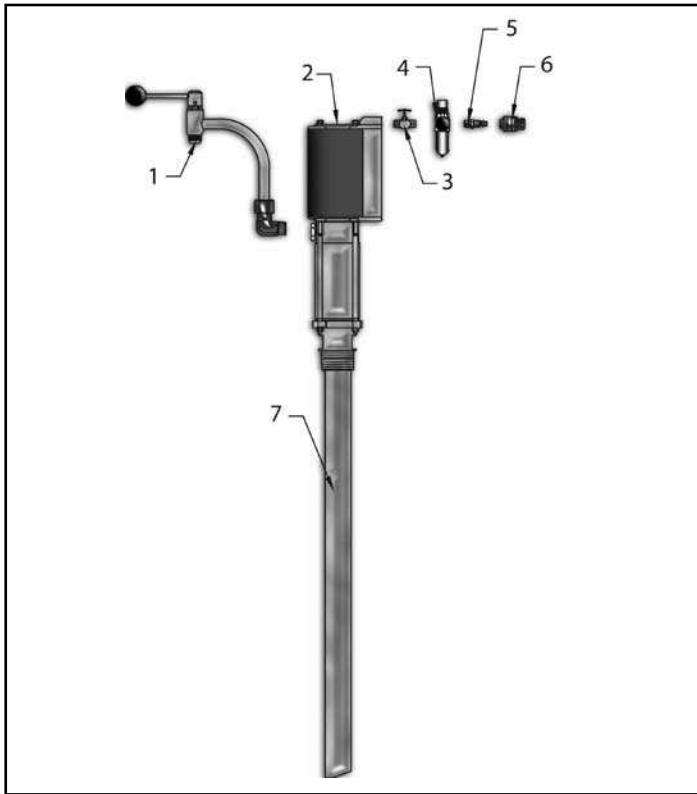
Item No.	Part No.	Description
1	317813-5F	Hose Assembly, 1/2" ID (5-1/2 ft long)
2	9918-A	Pump Assembly, Lubricant, 3:1 Ratio
3	328034	Adapter 1/4" NPTF (m)
4	328030	Coupler, Air, 1/4" NPTF (f)
5	317803-7	Hose Assembly, 3/8" ID (7 ft long)
6	7936	Filter/Regulator, Air Pressure, 1/4" NPTF
7	327033	Adapter, 1/4" NPTF (m) x 1/4" NPTF (m)
8	1000-88	Union, Adapter, 1/2" NPTF (f) x 1/2" NPSM
9	338147-9	Tube, Extension

## 338642



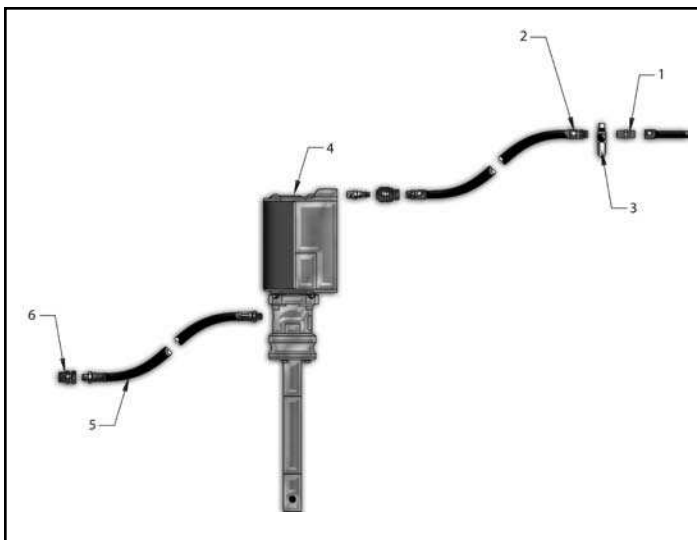
Item No.	Part No.	Description
1	317813-5F	Hose Assembly, 1/2" ID (5-1/2 ft long)
2	9968	Pump Assembly, Lubricant, 5:1 Ratio
3	328034	Adapter 1/4" NPTF (m)
4	328030	Coupler, Air, 1/4" NPTF (f)
5	317803-7	Hose Assembly, 3/8" ID (7 ft long)
6	7936	Filter/Regulator, Air Pressure, 1/4" NPTF
7	327033	Adapter, 1/4" NPTF (m) x 1/4" NPTF (m)
8	1000-88	Union, Adapter, 1/2" NPTF (f) x 1/2" NPSM
9	338147-7	Tube, Extension

## 338635



Item No.	Part No.	Description
1	7480-1	Valve, Dispensing
2	9916-A1	Pump Assembly, Lubricant, 1:1 Ratio
3	319391	Valve, Shutoff
4	7936	Filter/Regulator, Air Pressure, 1/4" NPTF (f)
5	327033	Adapter 1/4" NPTF (m)
6	328030	Coupler, Air, 1/4" NPTF (f)
7	338147-4	Tube, Extension

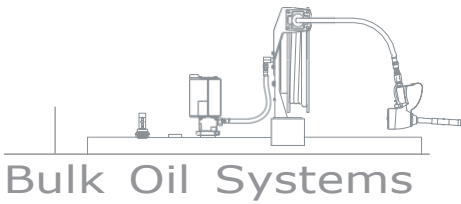
## 338632



Item No.	Part No.	Description
1	327033	Adapter, 1/4" NPTF (m) x 1/4" NPTF (m)
2	317803-7	Hose Assembly, 3/8" ID (7 ft long)
3	7936	Filter/Regulator, Air Pressure, 1/4" NPTF (f)
4	9930	High Pressure Grease Pump (50:1 ratio)
5	317803-7	Hose Assembly, 3/8" ID (7 ft long)
6	1000-86	Adapter Union, Straight, Male

## Alemite Lubrication Equipment and Fluid Handling Products

Pumps  
Fittings  
Hose Reels  
Grease Guns  
Accessories  
Fluid Management Systems  
Centralized Lubrication Systems  
Fluid Handling Products  
Meters and Control Valves  
Filters, Regulators, Lubricators



167 Roweland Drive  
Johnson City, TN 37601  
Toll Free U.S.: 866-4-Alemite  
Toll Free Canada: 800-267-8022  
International: 803-802-0001  
Fax U.S.: 800-648-3917  
Fax Canada: 800-267-2880  
Fax International: 803-802-0192  
[www.alemite.com](http://www.alemite.com)

LIT107 8/06 REV



**MFP**  
AUTOMATION  
ENGINEERING