



# **MFP** **AUTOMATION ENGINEERING**

**Full-system solutions. Total flexibility.**

# Who we are

- 2nd generation family-owned business
- \$40 million+
- 25 years in business
- On-site Parker Store
- Manufacturer
- 47,000 sq. ft. facility
- 80,000 skus in inventory
- CNC shop, Panel Assembly room, & Test facilities
- 5-10% growth annually
- Distributor

# Who We Are

\*Video only plays when opened in PowerPoint\*



# Building Footprint

- 9 Acres
- 47,000 sq. ft.
- 30,000 sq. ft. warehouse
- 69 employees



**MFP**  
AUTOMATION  
ENGINEERING

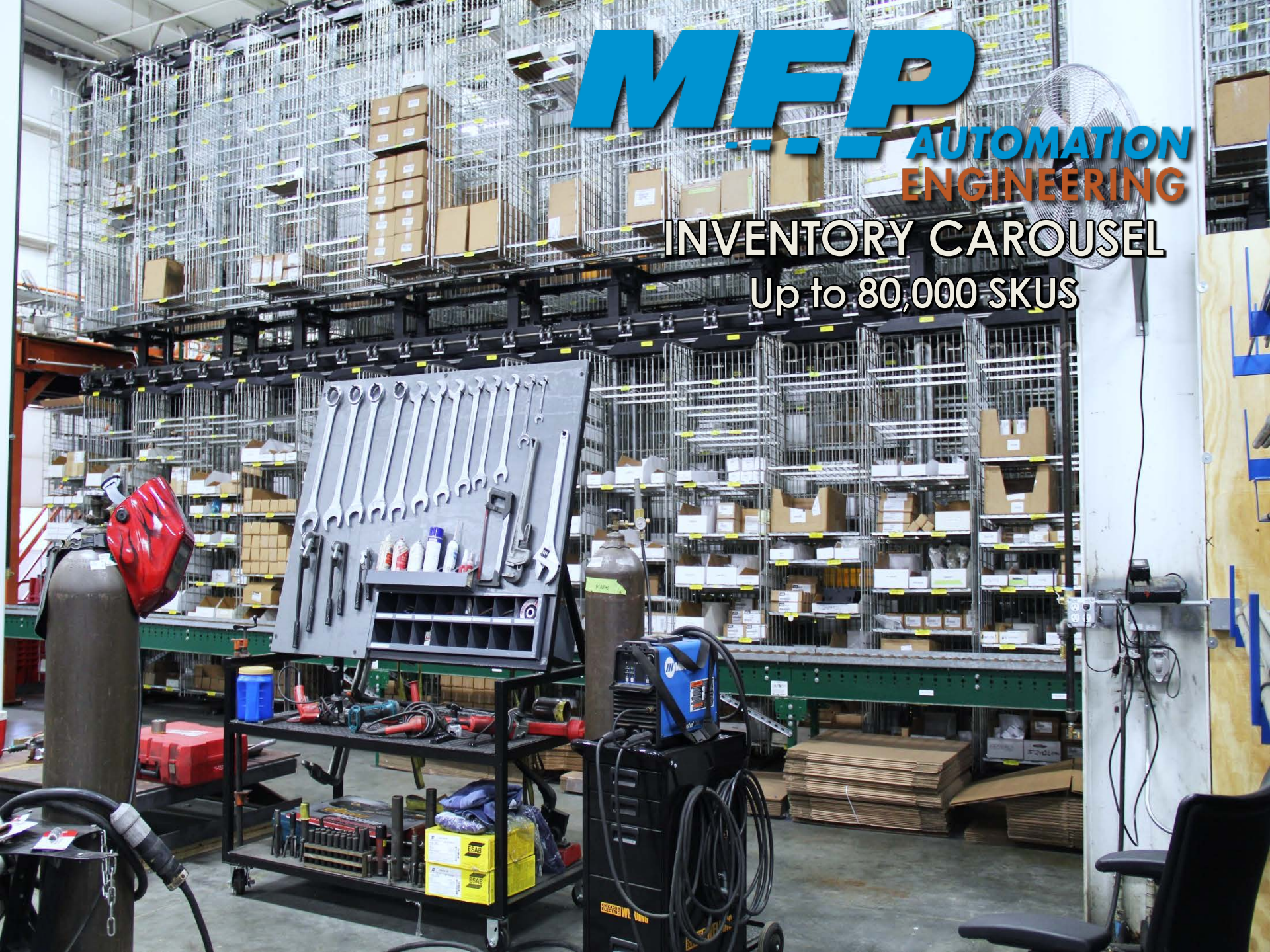
**MANUFACTURING WAREHOUSE & INVENTORY**  
30,000 sq. ft. warehouse + 2 story inventory carousel

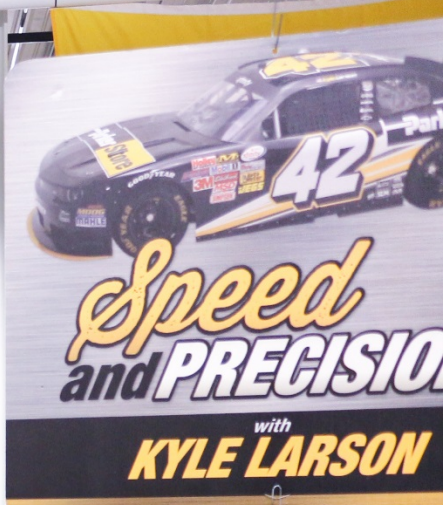
# MFP

AUTOMATION  
ENGINEERING

## INVENTORY CAROUSEL

Up to 80,000 SKUS



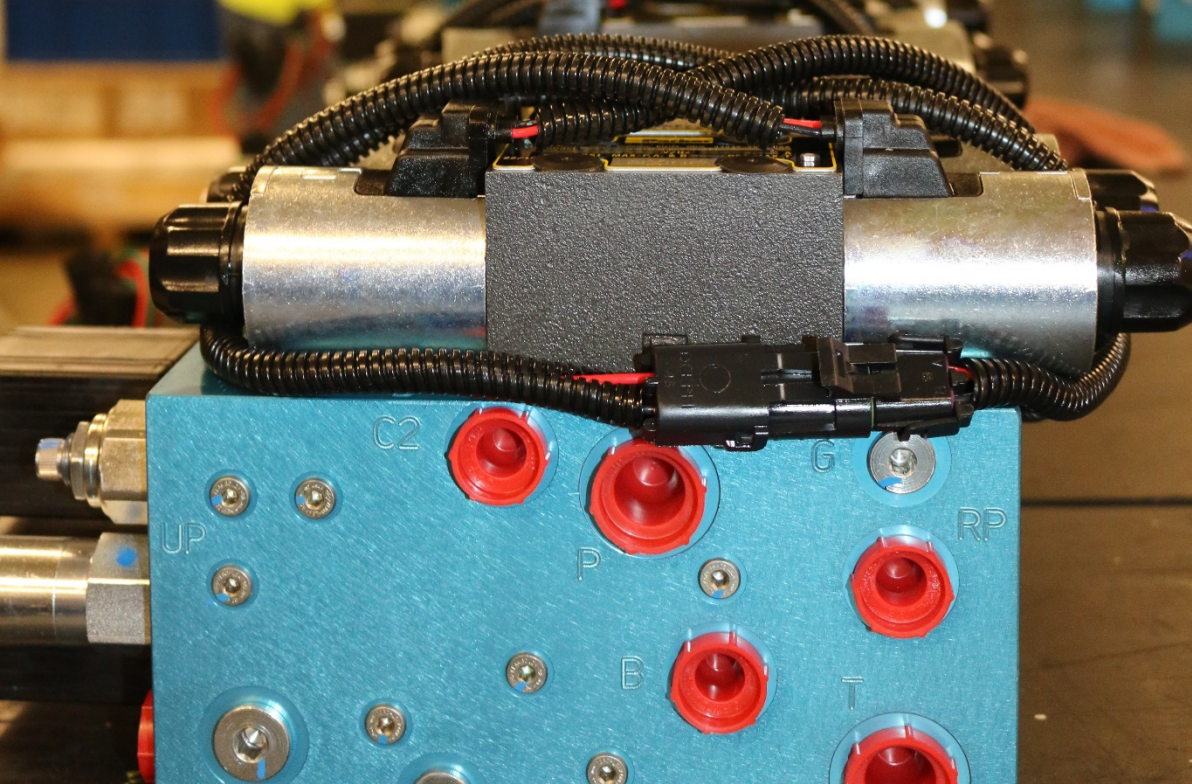
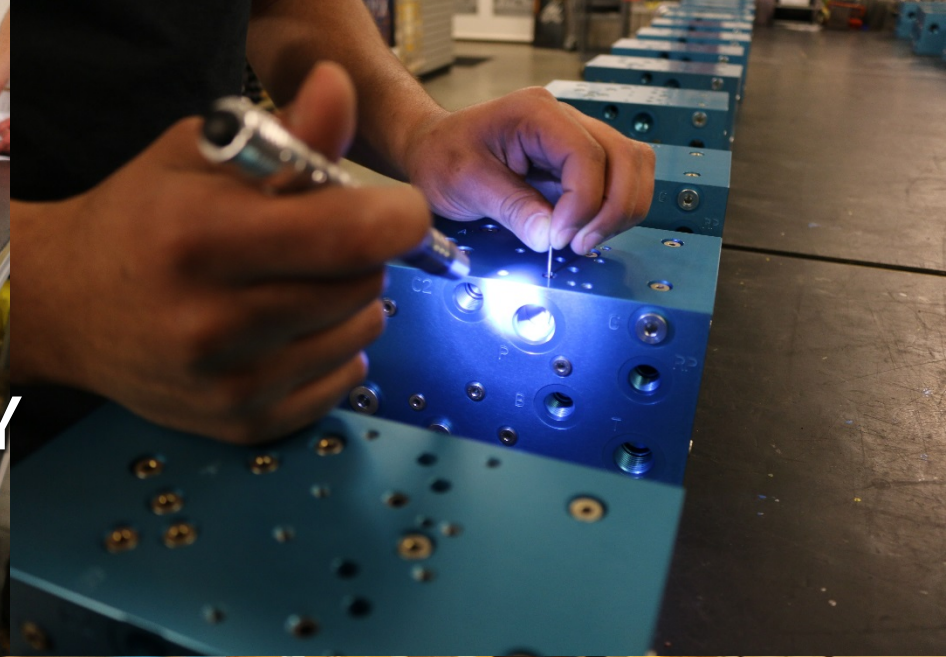
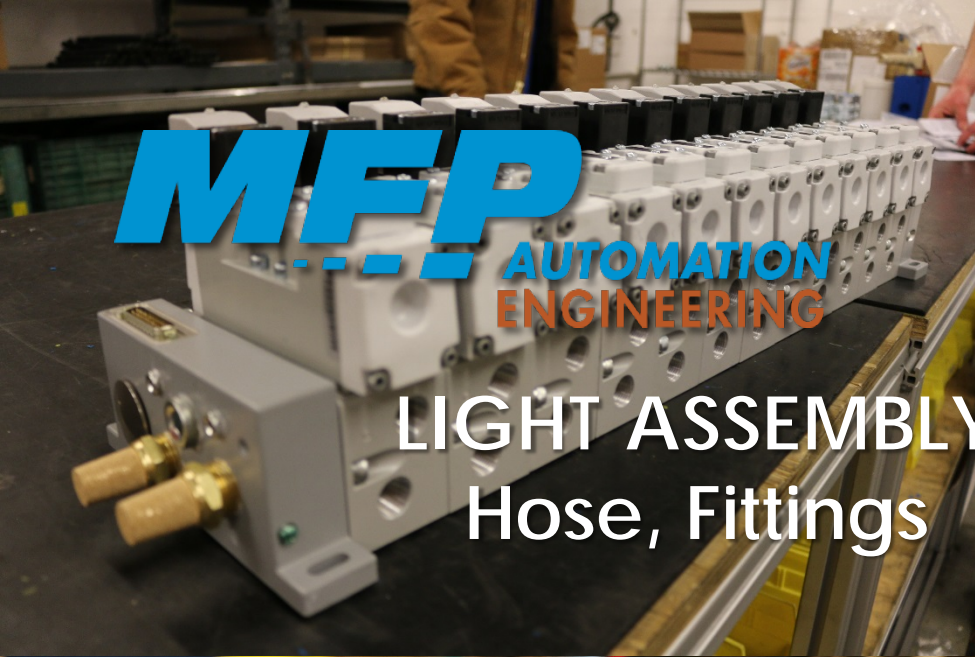


**MFP**  
AUTOMATION  
ENGINEERING  
LIGHT ASSEMBLY  
Hose, Fittings



**MFP**  
AUTOMATION  
ENGINEERING

# LIGHT ASSEMBLY Hose, Fittings





# Parker Store

## EQUIPMENT RENTAL PROGRAM

Why Rent From ParkerStore?

- Access to the newest technology & equipment
- Test equipment before purchasing
- Flexible rental periods
- Save on maintenance and storage fees
- Individual tooling available

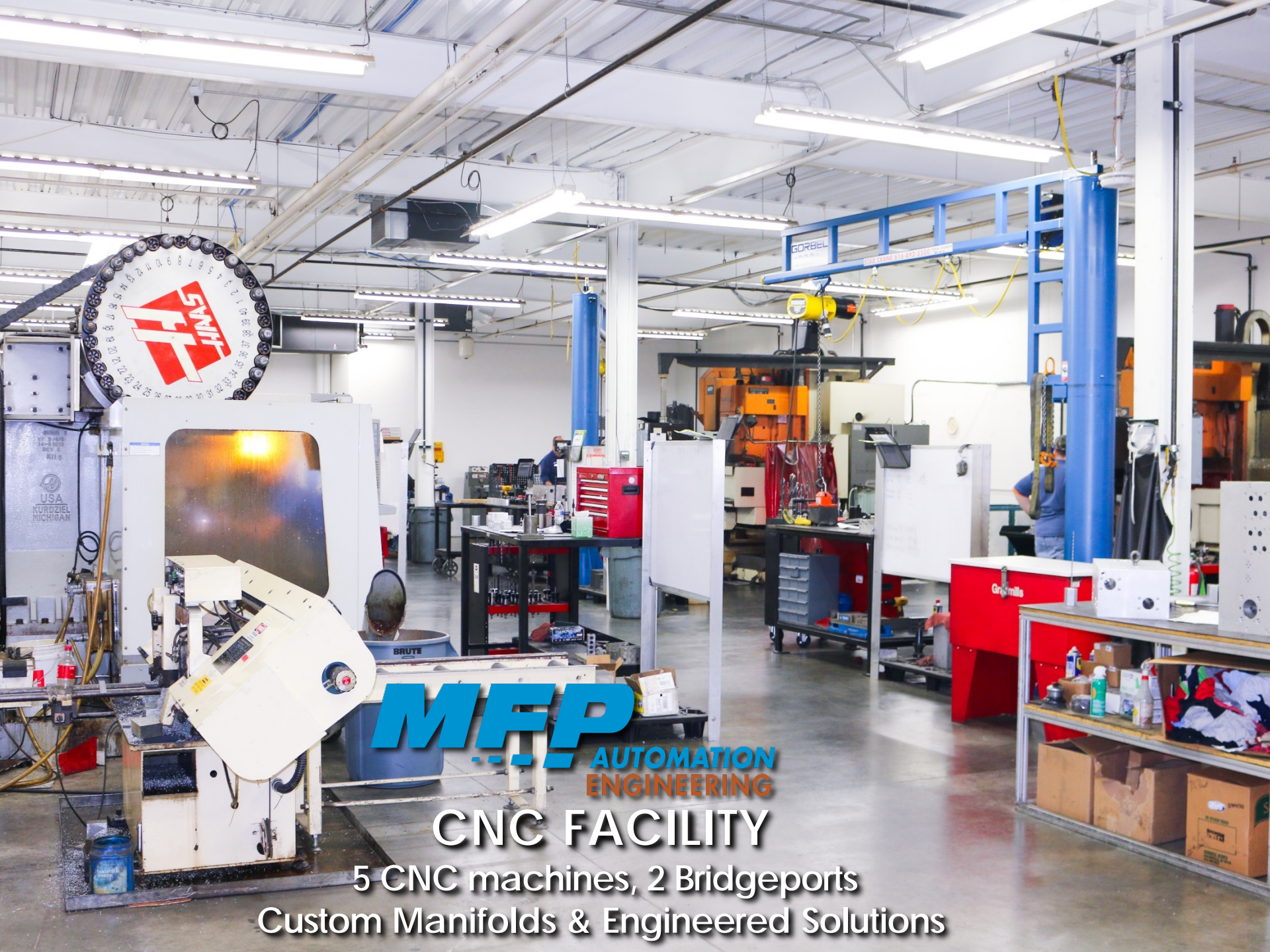


Ask an associate for a list of available rental products today!

**MFP**  
AUTOMATION  
ENGINEERING

ON SITE PARKER STORE  
Counter Sales Assistance, Hose  
Assemblies, Fittings, and more!

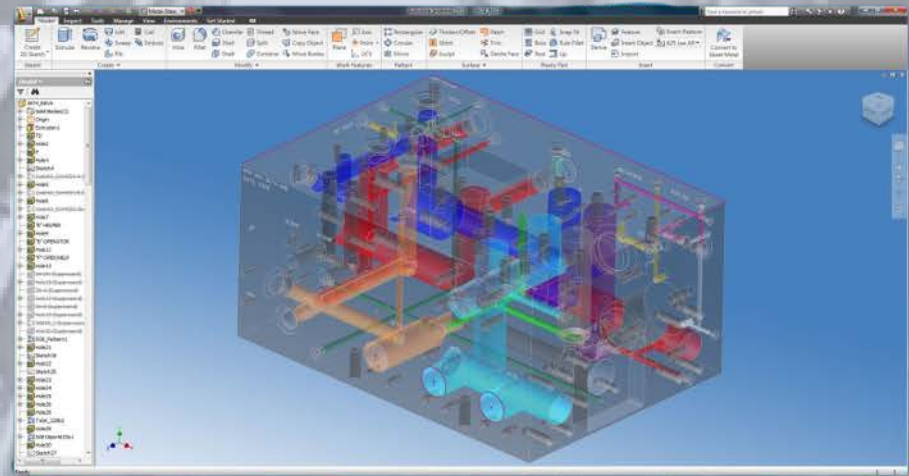
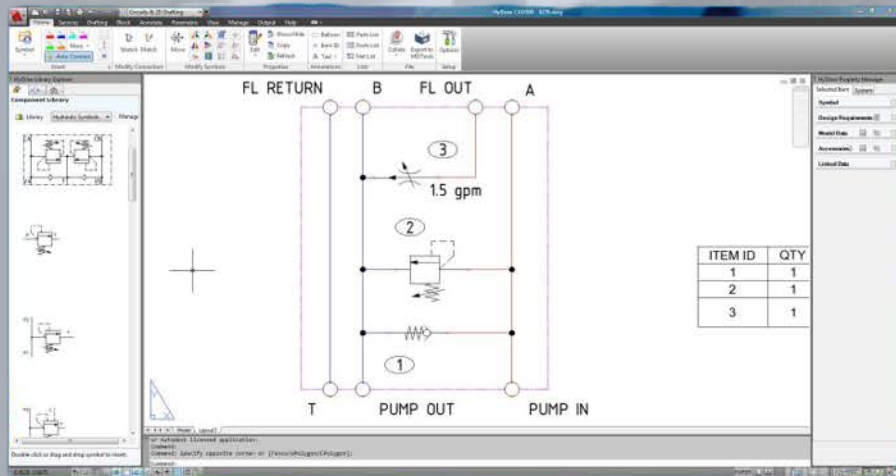
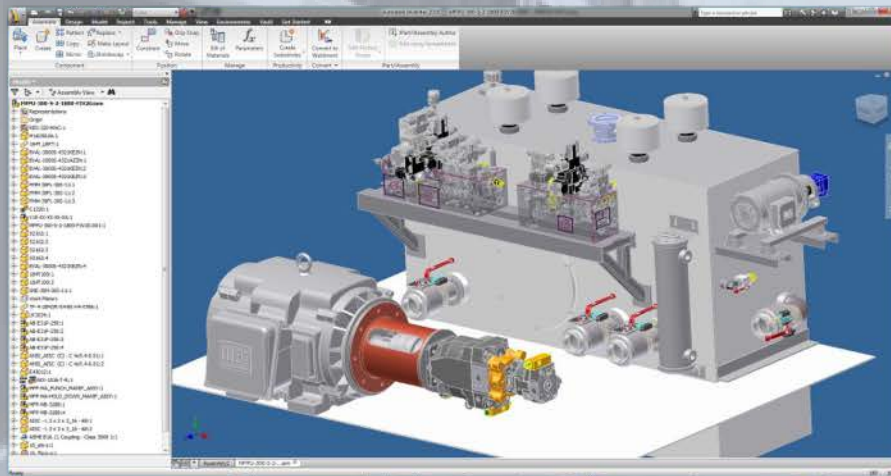




**MFP**  
AUTOMATION  
ENGINEERING

# CNC FACILITY

5 CNC machines, 2 Bridgeports  
Custom Manifolds & Engineered Solutions

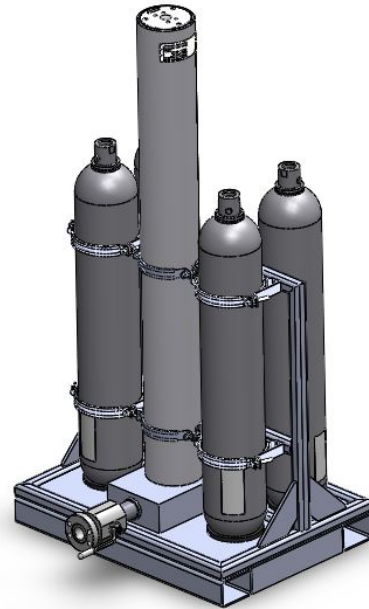
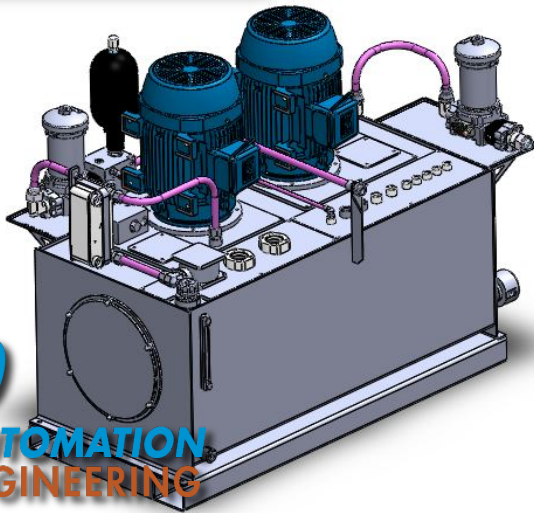
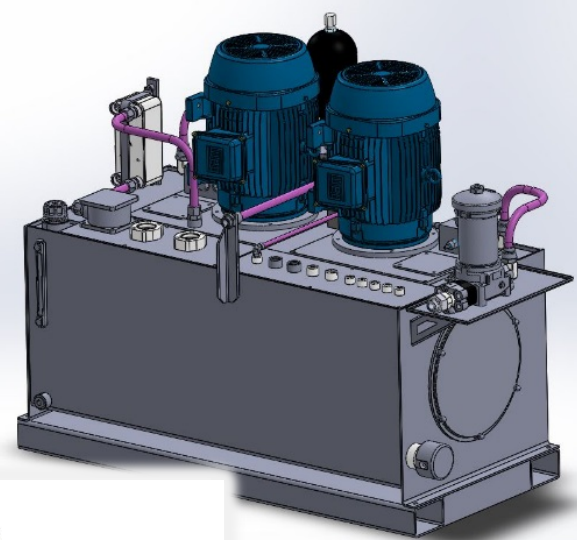
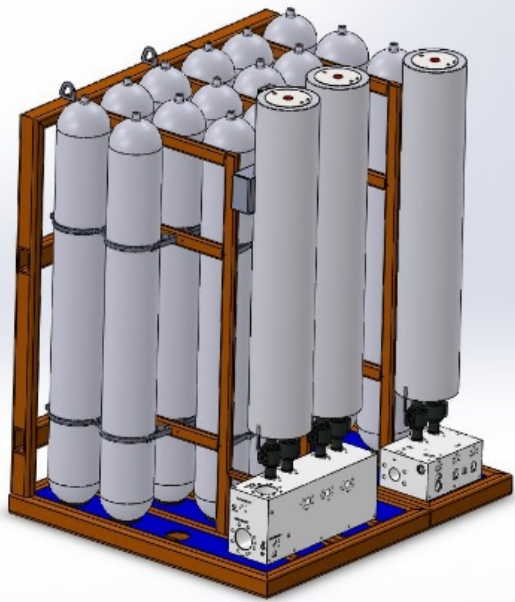


**MFP**  
AUTOMATION  
ENGINEERING

ENGINEERING

2D & 3D Design with AutoCAD, SolidWorks, MDTtools, and HyDraw Software

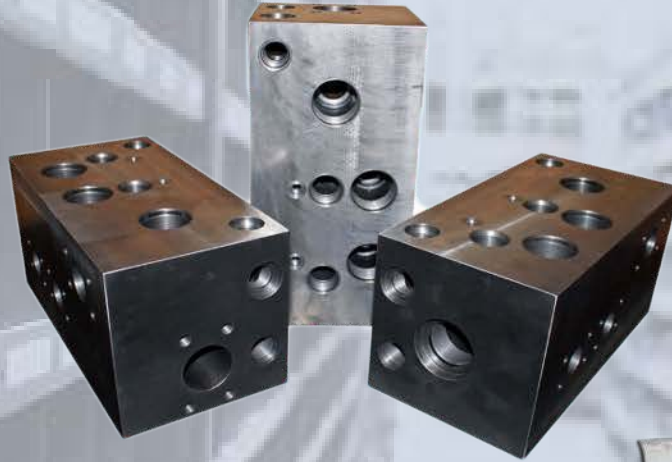
Combined 200+ years of experience



**MFP**  
AUTOMATION  
ENGINEERING

## ENGINEERING

2D & 3D Design w/ AutoCAD, SolidWorks, MDTools, & HyDraw Software  
Combined 200+ years of experience



**MFP**  
AUTOMATION  
ENGINEERING

**MANUFACTURING**  
Custom Manifolds & Engineered Solutions



**MFP**  
AUTOMATION  
ENGINEERING

**MANUFACTURING**

Custom Hydraulic Power Units & Systems

# BEFORE



# AFTER



**MFP**  
---  
AUTOMATION  
ENGINEERING

## RESTORATION

Custom Hydraulic Power Units & Systems



**MFP**  
AUTOMATION  
ENGINEERING

## RENTAL EQUIPMENT

Filter Cart, Portable Karrykrimp, Power Unit,  
Hydraulic Bender and Electric Flaring Tool, Hydra Tool





**MFP**  
AUTOMATION  
ENGINEERING

**ELECTROMECHANICAL**  
Components & Engineered Systems

# AUTOMATION

## Panel Build Assembly





Sensing & Safety

# Complete Automation Solutions



Electric



T-Slot Extrusion



Material Handling

# Complete Automation Solutions



Pneumatics



Fluid Power



Motion Control



**MFP** AUTOMATION  
ENGINEERING

ELECTRONIC INTEGRATION CENTER



**MFP**  
AUTOMATION  
ENGINEERING

**MOBILE MACHINE CONTROL**  
FULL-SYSTEM SOLUTION  
Electronic Controls Division

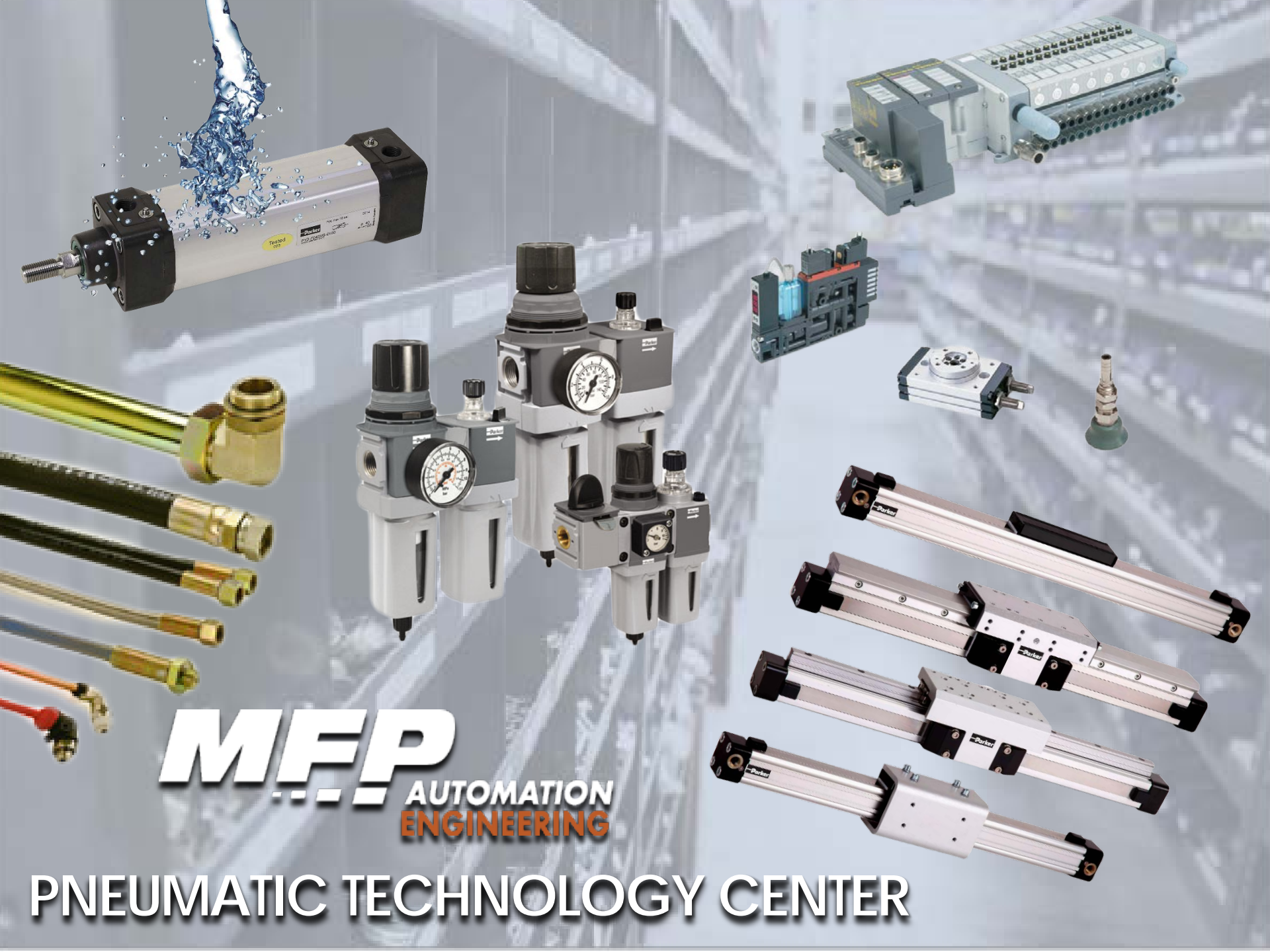
# VFD HPU



STANDARD POWER UNIT  
22" x 27" x 40"



VFD POWER UNIT  
18" x 11" x 30"



**MFP**  
AUTOMATION  
ENGINEERING

**PNEUMATIC TECHNOLOGY CENTER**





**MFP** **AUTOMATION**  
**ENGINEERING**

**HYDRAULIC TECHNOLOGY CENTER**



**MFP**  
AUTOMATION  
ENGINEERING

**FLUID CONNECTORS**



**MFP**  
---  
**AUTOMATION  
ENGINEERING**

## LUBRICATION

Installation, Industrial Automatic  
Lubrication, Mobile Chassis



**MFP**  
---  
AUTOMATION  
ENGINEERING

## LUBRICATION

Service Center Fluid Management Systems,  
System Layout Design & Installation



**MFP**  
AUTOMATION  
ENGINEERING

ON-ROAD / MOBILE  
LUBRICATION



## ON-SITE SERVICE

Tube Bending, Hose Assemblies, Installation  
Repair Service Contracts, & Fluid Analysis





**MFP**  
AUTOMATION  
ENGINEERING

## ON-SITE SERVICE

Tube Bending, Hose Assemblies, Installation,  
Repair Service Contracts, and Fluid Analysis



## MAJOR PROJECTS

Bridge Job, Alcoa Press,  
Parker Test Stand





MAJOR PROJECTS  
DNR Boat



**MFP**  
AUTOMATION  
ENGINEERING

Questions?

info@mifp.com  
www.mifp.com